

**Product: TABLE**

*Sanmarino* is a range of tables with an Art Deco-inspired structure. It is available in different versions: desk, traditional table and high table with round top.

The top is in solid wood or vintage Oak (thickness from 36 to 75 mm). Thanks to its home-style, it is suitable for Coffice, meetings and sharing areas.

**TECHNICAL FEATURES**

**Tops:** the tops are made of veneer or vintage Oak wooden planks.

Linear top 75 mm thick for rectangular table (item SZ01, SZ02).

Increasing thickness top from 20 mm to 36 mm for round table (item SZ30, SZ32).

**Structure:** varnished metal elements.

**FINISHES**

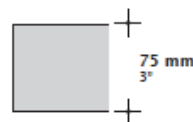
**Top:**

**Veneer:** Natural Oak 2016, Dyed Oak, Colour White Fir.

**Vintage Oak wooden planks.**

**Structure:** glossy or matt White Snow, matt Titanio, matt Carbon Glacè varnished metal.

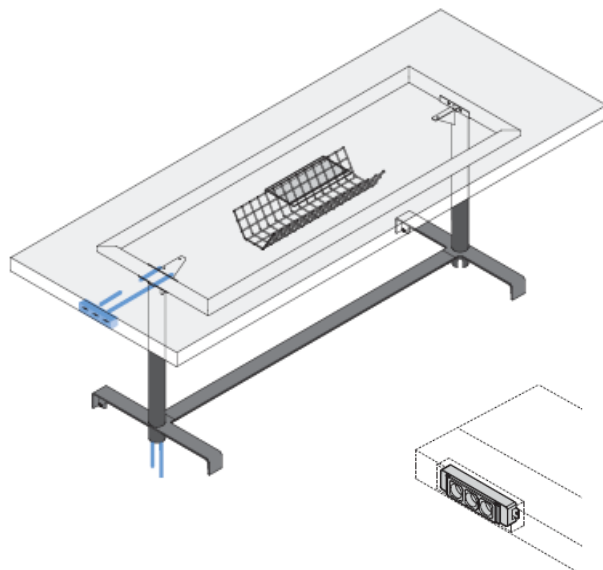
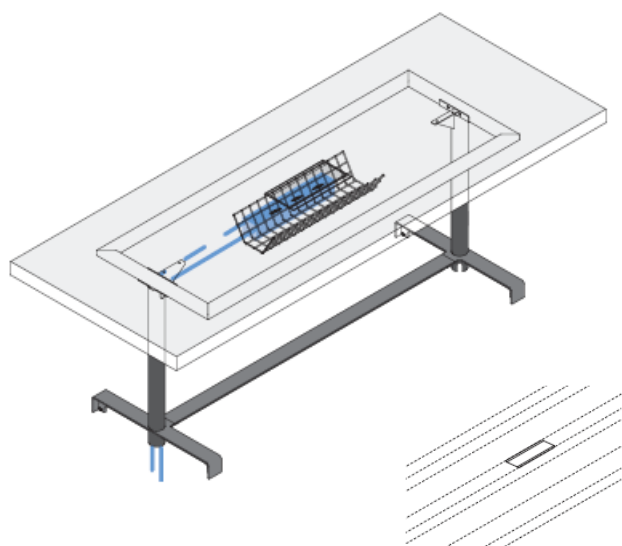
**ELECTRIFICATION**



RECTANGULAR TOP



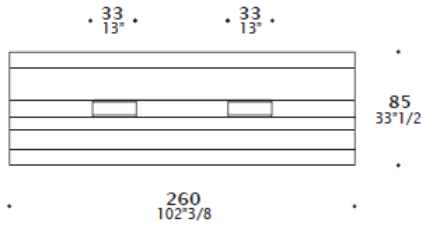
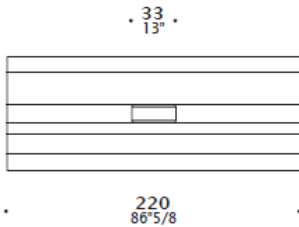
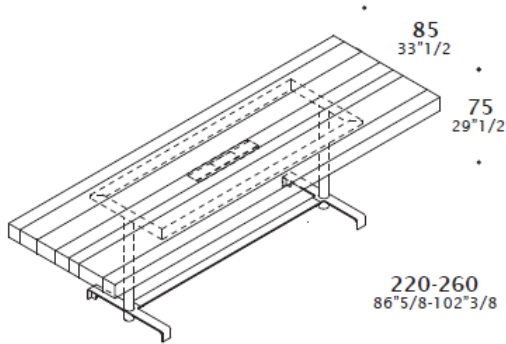
ROUND TOP



**DIMENSIONS**

**RECTANGULAR TABLE**

Available dimensions and top positioning.



**ROUND TABLE**

